

Features

- Lifting Height of up to 5.80 m
- Maximum capacity of 2,200 kg
- Clear View cab provides all round vision
- Audio-visual Load Stability indicator
- Mechanical Quick-switch coupler for efficient attachment changes
- Four-wheel steering - Front wheel, Co-ordinated and crab.
- Four wheel drive
- 45% gradeability.

Performance

Maximum Lift Capacity

2,600 kg

Capacity at full height

2,200kg

Maximum Forward Reach

3.16 m

Capacity at Maximum Forward Reach

1,000 kg

Lifting Height

5.80 m

Reach at Maximum Height

0.80 m

Break-out force with standard bucket

34.8 kN

Drawbar Pull (loaded)

5,000 kg

Carriage Rotation

140°

Standard Specifications

Engine

Deutz 2012, 74.9kw @ 2200 rpm.

91L Fuel Tank

10 L Engine Oil

15 L Coolant

Hydraulic System

Gear Pump 94 l/min

Transmission

Hydrostatic

Drive

4 x 4

Steering

4 WS/Front Steer/Crab Steer

Brakes

Wet multi disc

Tyres

405/70-20

Accessories & Options

- Air conditioning
- Speedometer
- Radio
- 12V outlet
- Worklights
- Hydraulic Quick-switch
- Rear hydraulic outlet
- Worklights on boom
- 405/70-24 MPT01 tyres
- 12.5-18 MPT02 tyres
- Connector for trailer lights
- Rotating beacon
- Tow Hitch

Attachments

Side shift carriage

Clamp for round bales

Forks for straw bales, two round tines

Truss boom

Fork mounted lift hook

Multi-purpose bucket

Light material bucket

Digging bucket

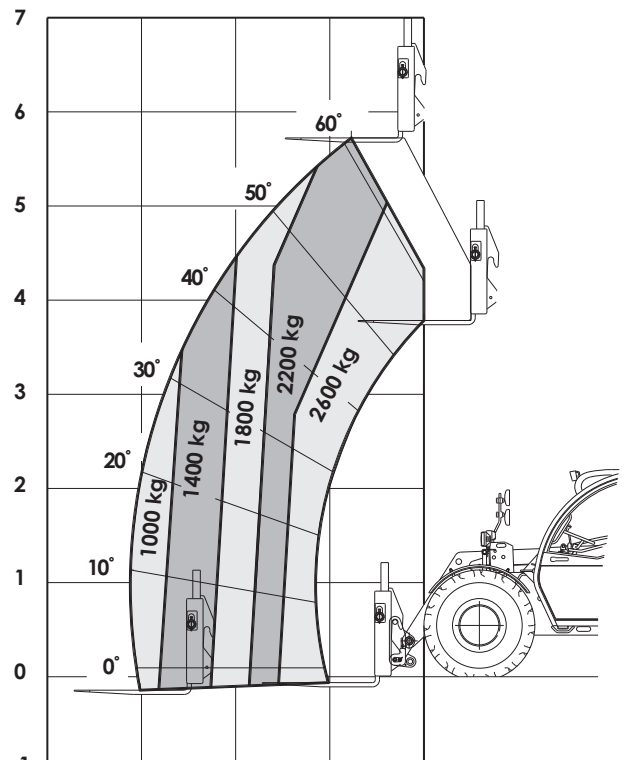
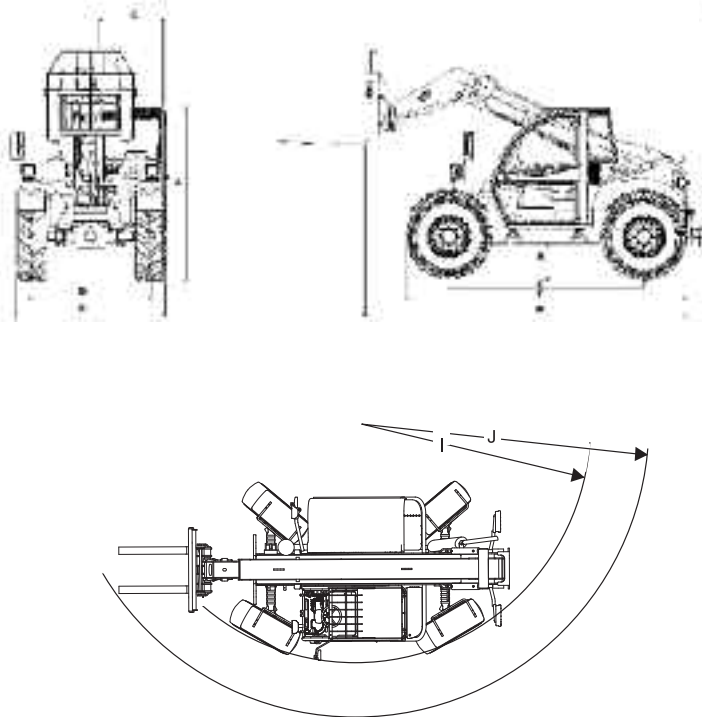
4-in-1 bucket

Concrete ladle



Dimensions

A. Overall Height	2.00 m
B. Overall Width	2.04 m
C. Width of Cab	0.89 m
D. Track width	1.64 m
E. Wheelbase	2.69 m
F. Length at front wheels	3.80 m
G. Length at fork-holder plate	4.40 m
H. Ground Clearance	0.34 m
I. Turning radius over tyres	3.90 m
J. Turning radius at fork	5.10 m
Gross Vehicle Weight (closed cab CE version)	6,300 kg



JLG is continually researching and developing products and reserves the right to make modifications without prior notice. All data in this document is indicative. Certain options or country standards will increase weight. Specifications may change to meet country standards or with the addition of optional equipment.

JLG Industries Inc.
 Polaris Avenue 63
 2132 JH Hoofddorp
 The Netherlands
 Tel: +31 (0)23 565 5665
 Fax: +31 (0)23 557 2493
 e-mail address: europe@jlg.com
www.jlgeurope.com

Printed in UK
 FORM No.: DS027-0308-250

PART NO.: DS027-ENGLISH

